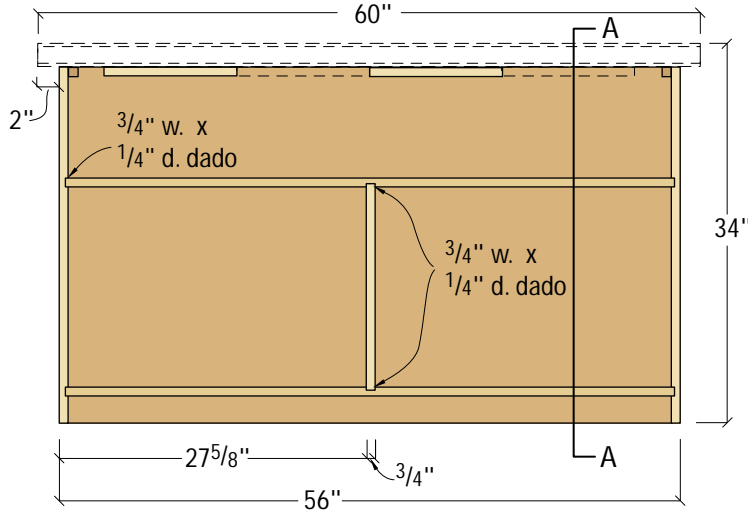
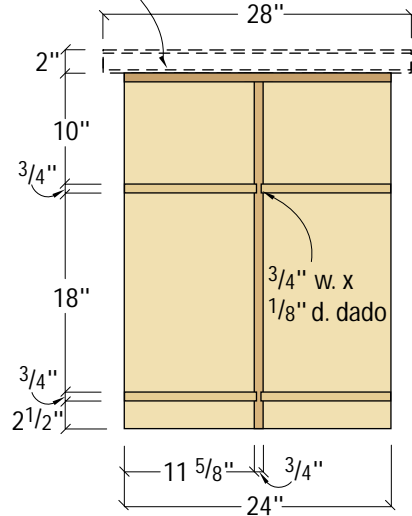


Plan

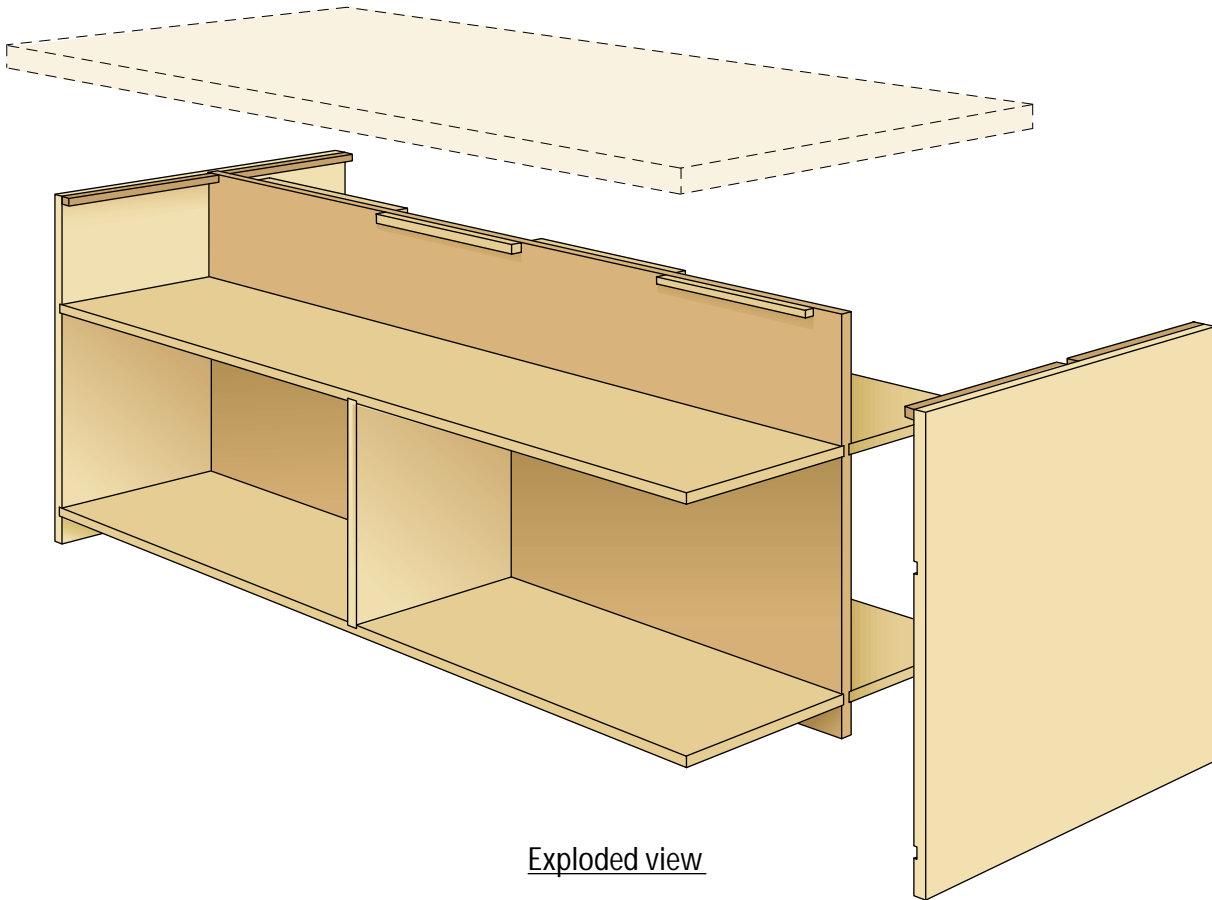
Top laminated from two sheets of 3/4" particleboard and two sheets of 1/4" hardboard



Elevation



Section A



Exploded view