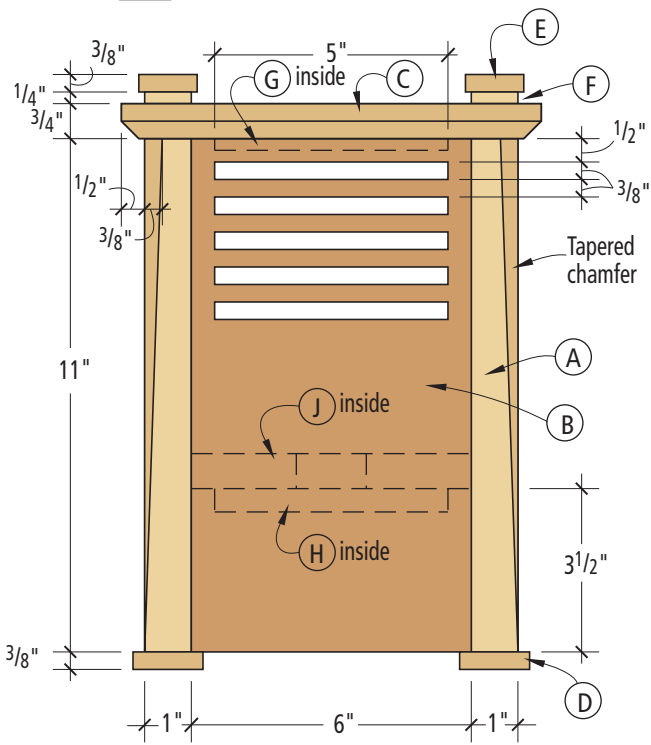
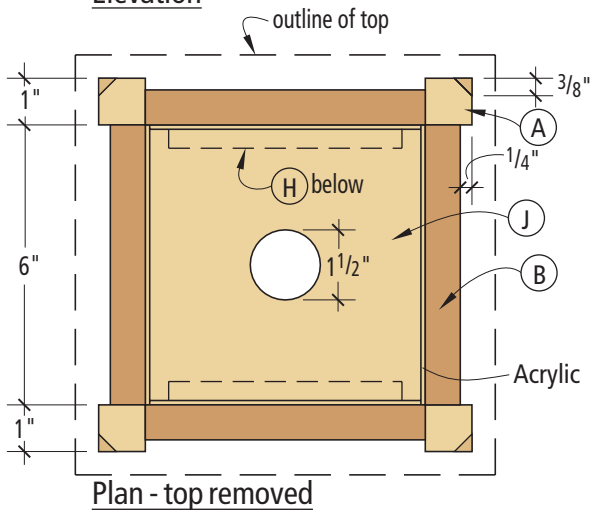


Plan



Elevation



Plan - top removed

## OUTDOOR LANTERN

NO.	LTR.	ITEM	DIMENSIONS (INCHES)		
			T	W	L
4	A	Posts	1	1	11
4	B	Panels	3/4	6	11
1	C	Top	3/4	9	9
4	D	Feet	3/8	1 1/2	1 1/2
4	E	Top caps	3/8	1 1/4	1 1/4
4	F	Spacers	1/4	1	1
4	G	Cleats to hold top	1/4	1/4	5
2	H	Cleats to hold lamp base	1/2	1/2	5
1	J	Lamp base	3/4	5 7/8	5 7/8