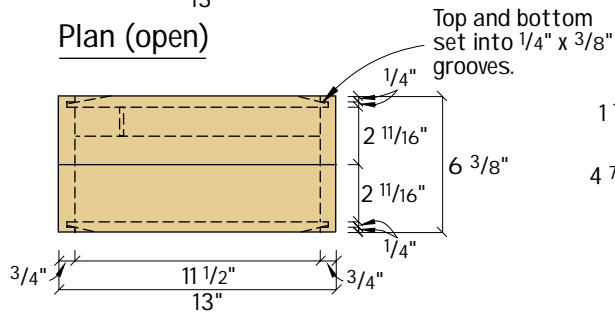


Plan (open)



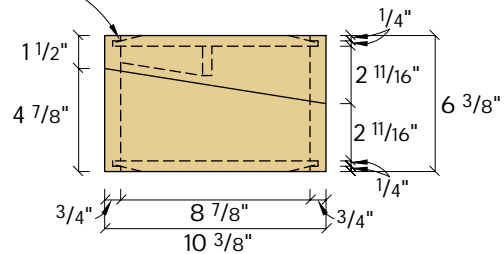
Elevation (closed)

Schedule of Materials: Writing Desk

No.	Item	Dimensions T W L	Material
2	Front & back	3/4" x 6 1/2"* x 13"	Cherry
2	Sides	3/4" x 6 1/2"* x 10 3/8"	Cherry
2	Top & bottom	1/2" x 9 1/2" x 12 1/8"	Cherry
2	Interior panels	3/8" x 8 3/4" x 11 3/8"	Baltic birch
1	Envelope divider	1/2" x 1 3/8" x 11 1/2"	Cherry
1	Paper clip divider	1/4" x 1 3/8" x 4 1/8"	Cherry

Hardware kit available from Woodcraft Supply: 800-225-1153. Kit# 129253, \$59.99 plus shipping and handling. Hardware kit includes all the hinges you need, the chest straps and the lock. Woodcraft also carries adjustable ball catches (#27H39, \$2.50 each), which work well for holding the interior panels in place.

*Measurement includes 1/8" kerf to separate lid and bot-



Profile (closed)