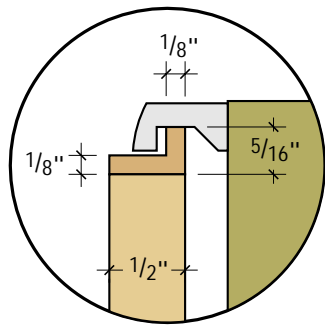
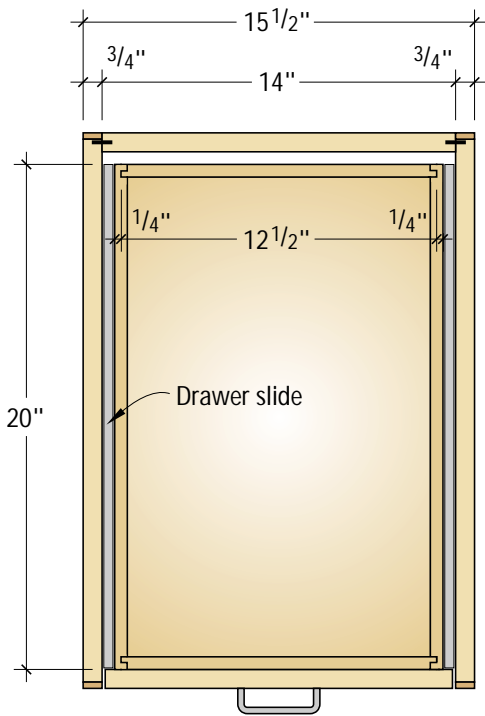


SUPPLIES

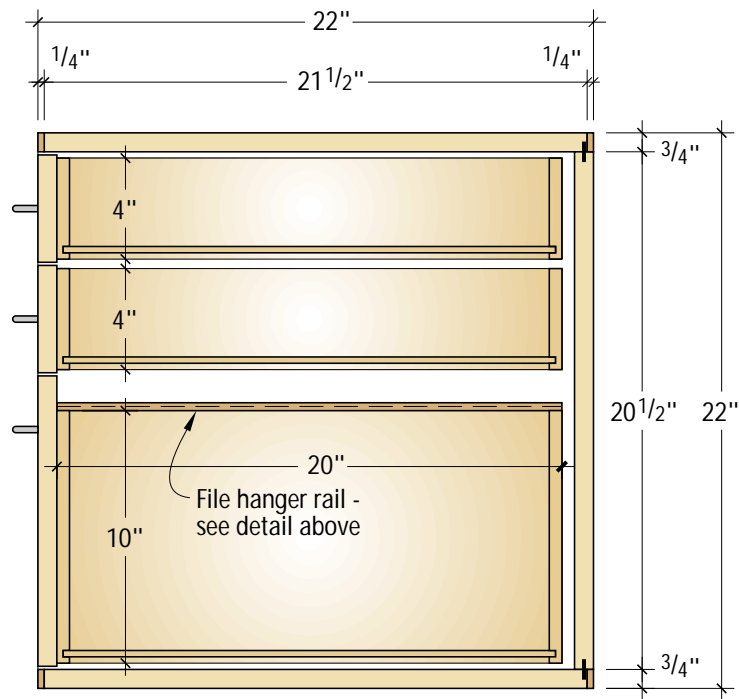
- 4 - Locking swivel casters with 2" - diameter wheels
- 3 - Drawer pulls
- 3 - 20" drawer slides, contact Accuride (562-903-0202 or accuride.com) for a distributor near you



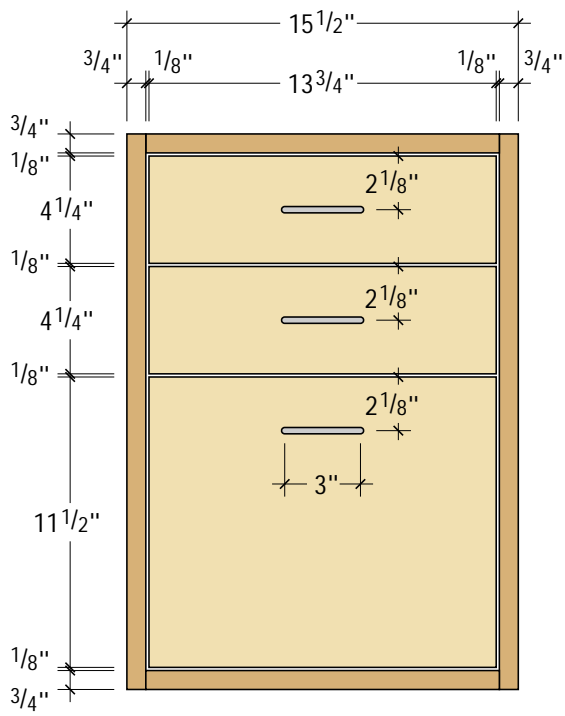
Hanger rail section



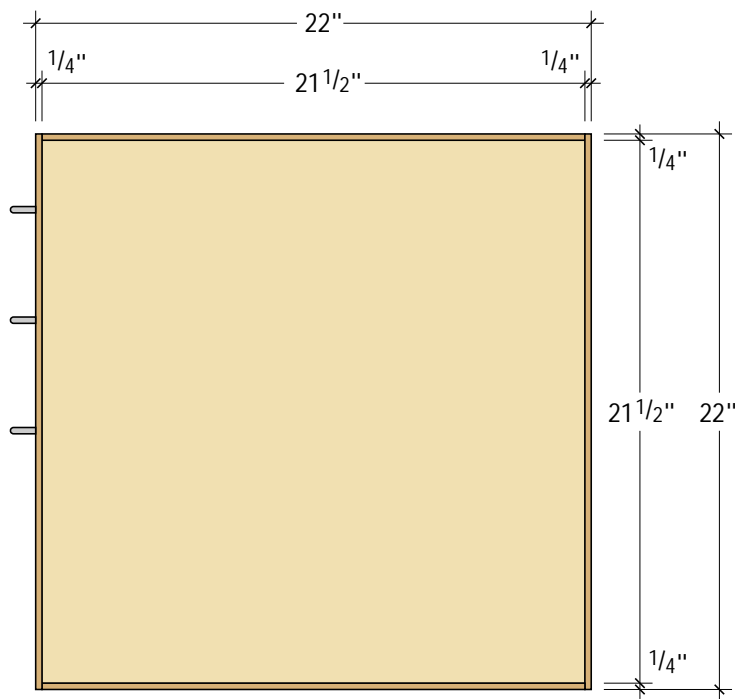
Horizontal section



Profile section



Elevation



Profile

MOBILE FILE CABINET

NO.	ITEM	DIMENSIONS (INCHES)			MATERIAL
		T	W	L	
CABINET*					
2	Sides	3/4	21 1/2	21 1/2	Birch ply
2	Top & bottom	3/4	21 1/2	14	Birch ply
1	Back	3/4	14	20 1/2	Birch ply
12	Edge trim	3/4	1/4	24	Cherry
DRAWERS					
3	Bottoms	1/4	12 1/2	19 1/2	Birch ply
4	Upper sides	1/2	4	20	Baltic birch
4	Upper frts/bks	1/2	4	12 1/2	Baltic birch
2	Lower sides	1/2	10	20	Baltic birch
2	Lower frt & bk	1/2	10	12 1/2	Baltic birch
2	Upper false frts	3/4	4 1/4	13 3/4	Birch ply
1	Lower false frt	3/4	11 1/2	13 3/4	Birch ply
2	Hanging rails	5/16	1/2	20	Cherry

* Measurements of plywood parts do not include cherry edge banding.