

# DELUXE BAT HOUSE



This house is designed with the bat in mind. It provides ample space, warmth and comfort.

**STEP ONE:** Start by cutting all the pieces to size according to the Schedule of Materials. When cutting the baffles, orient the grain horizontally to provide a better gripping surface for the bats' claws. Our baffles are oriented wrong because our bat expert suggested the change after

construction.

Next, cut the mating edges of the roof at a 30-degree angle, then use the roof pieces to lay out the roof peak on the front and back pieces. Make the angled cuts, then drill ventilation holes in the front and sides as shown on the drawing.

**STEP TWO:** Add small horizontal grooves to the baffles and back by using a veining bit in a router, or a utility knife. The grooves should run the width of the baffles, 1" apart and cover the entire height of each piece and the landing pad, which is the portion of the back that juts down

from the house. The grooves are footholds, so sand off splinters to protect the bats.

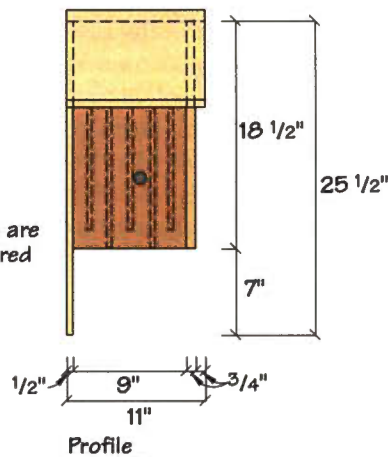
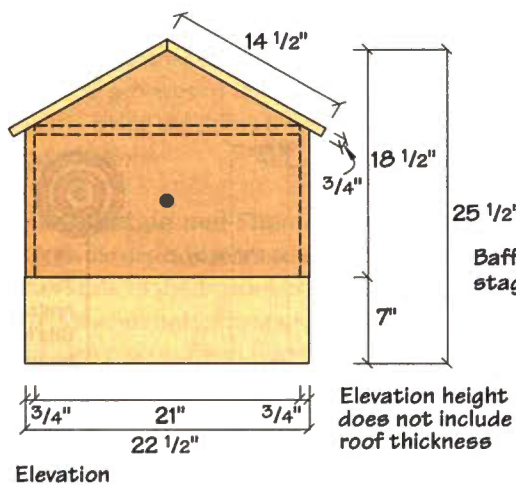
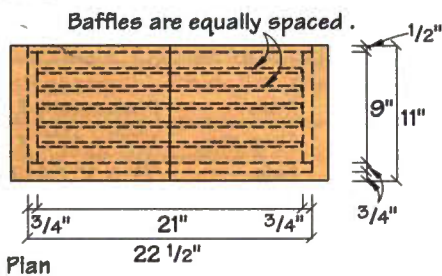
**STEP THREE:** Fasten the back to the sides and attach the attic floor between the sides as shown using galvanized screws. There should be a 1" space between the attic floor and the back to allow bats into the attic. Don't use glue, as our bat expert says it could be harmful to residents. The house should be as airtight as possible, however, to keep the bats warm. Next, use spacing blocks to hold one of the 10" baffles 1 1/4" from the back and flush to the attic floor. Attach through the sides with galvanized nails. Repeat this step, alternating the baffle sizes.

**STEP FOUR:** With the baffles in place, attach the front to the sides, then attach the roof pieces.

**STEP FIVE:** There is no need to sand anything other than the grooves in the baffles. Stain the outside of the house only using a water-based stain. Attach roofing paper to the roof using exterior-grade staples. Also attach pieces of roofing paper to the front and back peaks and to the two sides, extending 5" down from the top edge. This creates areas of different temperatures for bats. **PW**

—Michelle Taute, PW staff

## Diagrams



## Schedule of Materials: Bat House

No.	Item	Dimensions T W L	Material
1	Front	3/4" x 22 1/2" x 18 1/2"	Cedar*
1	Back	1/2" x 22 1/2" x 25 1/2"	CDX Ply
2	Sides	3/4" x 9" x 12"	Cedar*
2	Roof halves	3/4" x 11" x 14 1/2"	Cedar*
3	Baffles	1/4" x 21" x 10"	CDX Ply
2	Baffles	1/4" x 21" x 11"	CDX Ply
1	Attic floor	3/4" x 21" x 8"	Cedar*

\* Cedar should be rough cut.



To see more projects like this in future issues, circle "P13" on the postage-paid card in the Resource Directory.