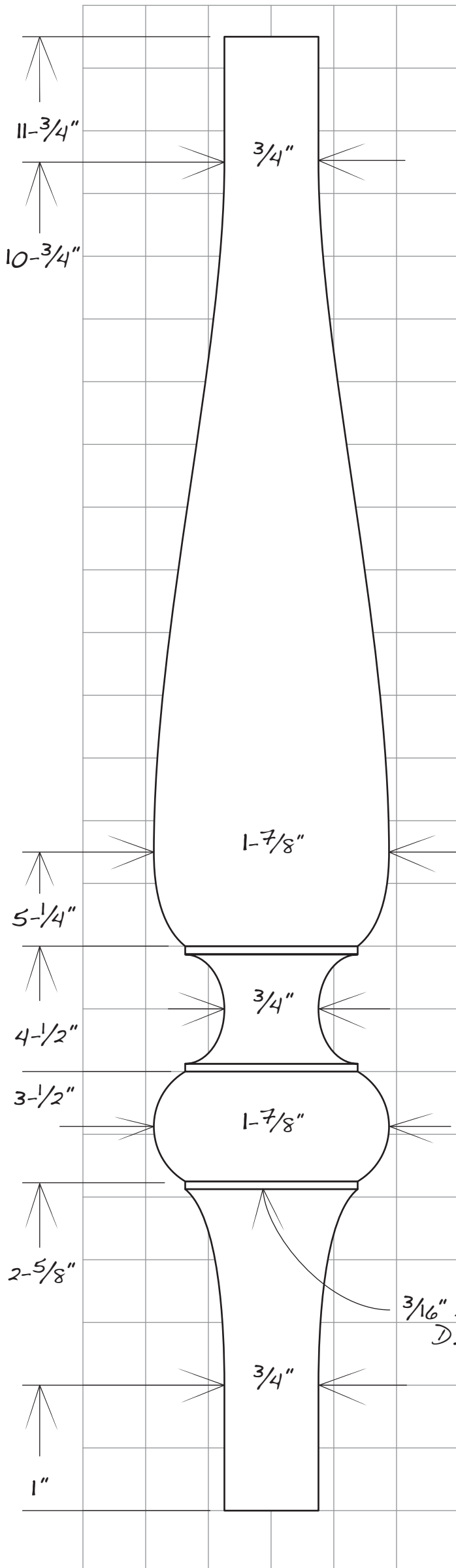


Short Stretcher



Printing Instructions

1. Your computer must have the newest version of Adobe Reader to print this pattern. It's a **free download** for both Mac and PC computers at get.adobe.com.
2. Open the PDF and click on the print icon to open the Print Setup window.
3. Select "Pages" and enter the pattern's page number (it's located in the top right corner).
4. In the Page Scaling window, select "Tile All Pages."
5. Make sure the Tile Scale window reads "100%."
6. Set the Overlap window to 1.25 inches.
7. Click "Print." The pattern will print on successive sheets of $8\text{-}\frac{1}{2}\text{'}$ x 11' paper.
8. Before printing other jobs, make sure all Page Setup windows have returned to their default settings.