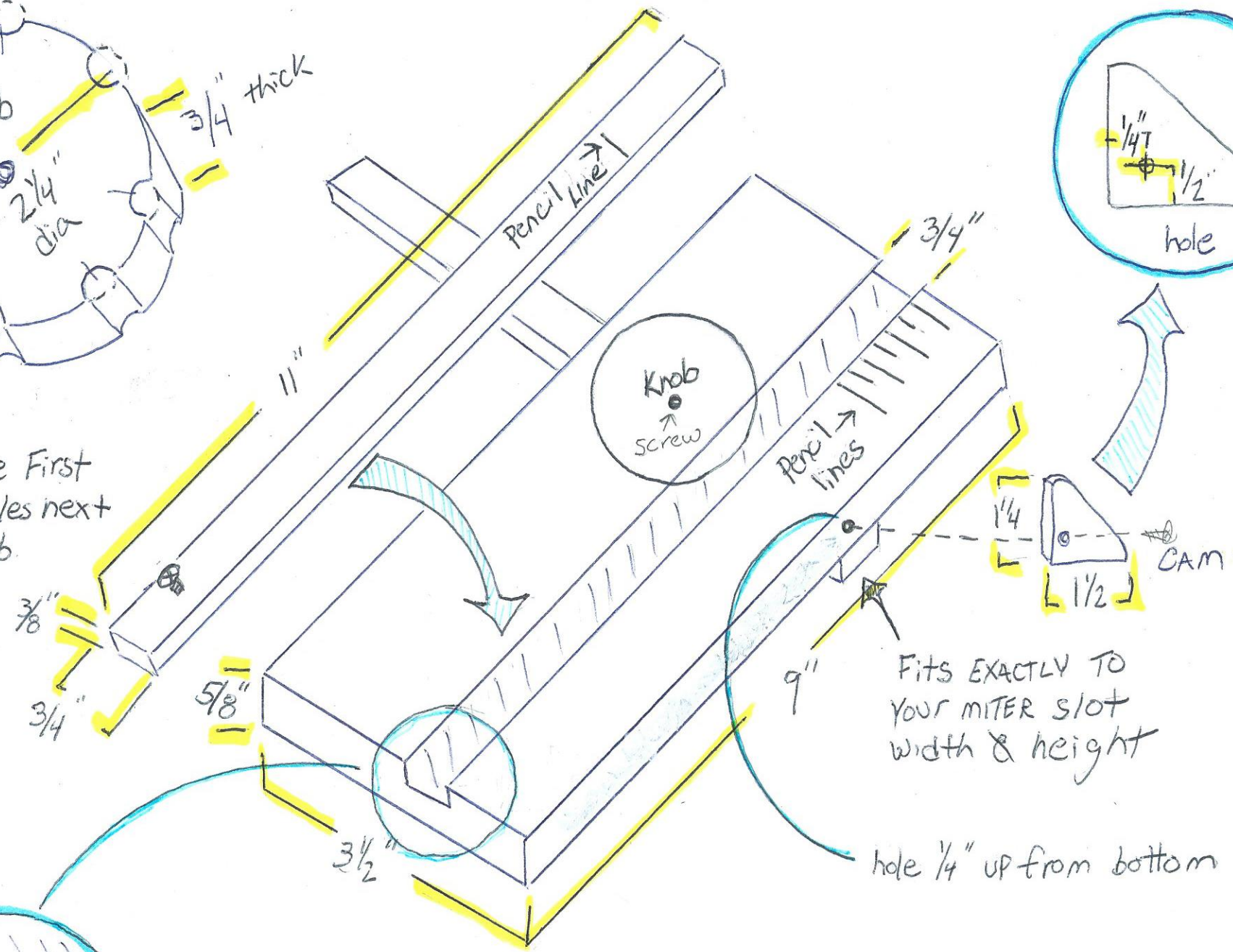


- ① DRAW Circle First
- ② Drill 3/8" holes next
- ③ Cut out Knob



FITS EXACTLY TO YOUR MITER SLOT width & height

hole 1/4" up from bottom

